



Lexmark XM1140

The Lexmark XM1140 does more than help streamline your business with productivity solutions and 2-sided printing, its fast processor, print, copy and scan speeds also save time.

Part Number

3084904

Print Technology

Monochrome Laser

Function

Color Scanning, Copying, Faxing, Network Scanning, Printing

Workgroup Size

Small Workgroup

Touch Screen Display

Yes

Display

Lexmark e-Task 10.9 cm (4.3-inch) colour touch screen

Print Speed (A4, Black)

Up to 38 ppm⁶

Print Speed (A4, Black) Duplex

Up to 16 spm⁶

Time to First Page (Black)

As fast as 6.5 seconds

Duplex (2-sided) Printing

Integrated Duplex

Print Resolution, Black

1200 Image Quality, 1200 x 1200 dpi, 2400 Image Quality, 600 x 600 dpi

Copy Speed (A4, Black)

Up to 38 cpm⁶

Copy Speed (A4, Black) Duplex

Up to 19 spm⁶

Time to First Copy (Black)

As fast as 6.5 seconds

Reduce / Enlarge Range

25 - 400 %

A4/Ltr Simplex Scan Speed (Black)

Up to 42 / 43 Sides per minute

A4/Ltr Simplex Scan Speed (Colour)

Up to 19 / 20 Sides per minute

A4/Ltr Duplex Scan Speed (Black)

Up to 18 / 19 Sides per minute

A4/Ltr Duplex Scan Speed (Colour)

Up to 8 / 8 Sides per minute

Scan Area, Maximum (mm)

215.9 x 355.6 mm

ADF Scan

RADF (reversing Duplex)

Scanner Type

Flatbed scanner with ADF

Scan Technology

CIS

Optical Scanning Resolution

up to 600 X 600 ppi (color), up to 1200 X 600 ppi (black)

Scan File Formats (Send as)

JPEG, JPG, PDF, Secure PDF, TIFF, XPS, Archival PDF (A-1a, A-1b)

Scan Destinations

e-mail, FTP, USB Flash drive, USB or Network connected computer, Lexmark Document Solutions Suite (LDSS)

Modem Speed

ITU T.30, V.34 Half-Duplex, 33.6 Kbps

Fax Transmission Speed

< 3 seconds per page

Processor

Dual Core, 800 MHz

Memory, Standard

512 MB

Memory, Maximum

2560 MB

Hard Disk

Not Available

Apple Operating Systems Supported

Apple OS X (10.5, 10.6, 10.7, 10.8, 10.9, 10.10)

Citrix MetaFrame

Microsoft Windows Server 2003 running Terminal Services with Citrix Presentation Server 3.0, 4.0, 4.5, Microsoft Windows Server 2003 x64 running Terminal Services with Citrix Presentation Server 4.0 x64, 4.5 x64, Microsoft Windows Server 2003 and 2003 X64 Edition with Citrix XenApp 5.0, Microsoft Windows Server 2008 and 2008 X64 Edition with Citrix XenApp 5.0, Microsoft Windows Server 2008 R2 with Citrix XenApp 6.0, 6.5

Linux Operating Systems Supported

SUSE Linux Enterprise Server 10, 11, SUSE Linux Enterprise Desktop 10, 11, Red Hat Linux Desktop 6.0, Linpus Linux Desktop 9.6, Debian GNU/Linux 5.0, 6.0, Red Hat Enterprise Linux WS 4.0, 5.0, 6.0, Ubuntu 11.04, 11.10, 12.04, 12.10, openSUSE 11.3, 11.4, 12.1, 12.2, PCLinuxOS 2011, Mint 9, 10, 11, 12, 13, Fedora 14, 15, 16, 17

Microsoft Windows Operating Systems Supported

Windows XP, Windows Server 2003, Windows XP x64, Windows Server 2003 x64, Windows Vista, Windows Vista x64, Windows Server 2008, Windows Server 2008 x64, Windows 7, Windows 7 x64, Windows Server 2008 R2, Windows 8, Windows 8 x64, Windows Server 2012, Windows 8.1, Windows 8.1 x64, Windows Server 2012 R2, Windows RT, Windows RT 8.1

Novell Operating Systems Supported

Novell NetWare 6.5 Open Enterprise Server, Novell NetWare 5.1(SP 6+), 6.0(SP 3+) with Novell Distributed Print Services (NDPS), Novell Open Enterprise Server on SUSE Linux Enterprise Server

UNIX Operating Systems Supported

Sun Solaris SPARC 9, 10, HP-UX 11.11, 11.23, 11.31, Sun Solaris x86 10, 11, IBM AIX 5.3, 6.1, 7.1

Included Paper Handling

250-Sheet Input, 50-Sheet Multipurpose Feeder, 150-Sheet Output Bin, Integrated Duplex

Optional Paper Handling

250-Sheet Tray, 550-Sheet Tray, 550-Sheet Lockable Tray

Paper Input Capacity, Standard

Up to 300 pages 75 gsm bond

Paper Input Capacity, Maximum

Up to 850 pages 75 gsm bond

Paper Output Capacity, Standard

Up to 150 pages 75 gsm bond

Paper Output Capacity, Maximum

Up to 150 pages 75 gsm bond

Paper Weight Range Supported - Standard Tray (gsm)

60 - 90 gsm

ADF

50-Sheet Automatic Document Feeder

ADF Paper Input Capacity

Up to 50 pages 75 gsm bond

ADF Paper Output Capacity

Up to 50 pages 75 gsm bond

Finishing Option

No

Number of Paper Inputs, Standard

2

Number of Paper Inputs, Maximum

3

Media Types Supported

Card Stock, Envelopes, Paper Labels, Plain Paper, Transparencies, Refer to the Card Stock & Label Guide.

Media Sizes Supported

10 Envelope, 7 3/4 Envelope, 9 Envelope, A4, A5, DL Envelope, Executive, Folio, JIS-B5, Legal, Letter, Statement, Universal, Oficio, A6

Standard Ports

USB 2.0 Specification Hi-Speed Certified (Type B), Gigabit Ethernet (10/100/1000), Front USB 2.0 Specification Hi-Speed Certified port (Type A)

Optional Network Ports

MarkNet N8352 802.11b/g/n Wireless

Direct USB

Yes

Ethernet Network

Yes

Network Protocol Support

TCP/IP IPv4, AppleTalk™, TCP/IP IPv6, TCP, UDP

Network Printing Methods

LPR/LPD, Direct IP (Port 9100), Enhanced IP (Port 9400), Secure IP (Port 96xx), FTP, TFTP, ThinPrint .print integration, IPP 1.0, 1.1, 2.0 (Internet Printing Protocol), Microsoft Web Services WSD, Pull Printing

Network Management Protocols¹

HTTP, HTTPS (SSL/TLS), SNMPv1, SNMPv2c, SNMPv3, WINS, IGMP, BOOTP, RARP, APIPA (AutoIP), DHCP, ICMP, DNS, Bonjour, DDNS, mDNS, ARP, NTP, Telnet, Finger,

Network Security

SNMPv3, 802.1x Authentication: MD5, MSCHAPv2, LEAP, PEAP, TLS, TTLS, IPsec

Printable Area (metric)

4.0 mm of the top, bottom, right and left edges (within)

Printer Languages (Standard)

PCL 5e Emulation, PCL 6 Emulation, Personal Printer Data Stream (PPDS), PostScript 3 Emulation, Direct Image, Microsoft XPS (XML Paper Specification), AirPrint™, PDF 1.7 emulation

Fonts and Symbol Sets

3 of 9 scalable PCL 5e fonts in Narrow, Regular and Wide, 2 PCL bitmap fonts, 39 scalable PPDS fonts, 5 PPDS bitmap fonts, 84 scalable PCL fonts, OCR-A, OCR-B scalable PCL 5e fonts, For more information, refer to the Technical Reference., 91 scalable PostScript fonts

Laser Cartridge Yields (up to)⁵

10,000-page High Yield Cartridge,

Imaging Unit Estimated Yield

Up to 60000 pages, based on 3 average letter/A4-size pages per print job and ~ 5% coverage⁴

Cartridge(s) Shipping with Product

5,000-page Starter Return Program Toner Cartridge

Packaged Size (mm - H x W x D)

571 x 485 x 550 mm

Packaged Weight (kg)

23.0 kg

Size (mm - H x W x D)

468 x 399 x 472 mm

Weight (kg)

20.0 kg

Noise Level, Idle

Inaudible dBA

Noise Level (Print), Operating

55 dBA

Duplex Print Noise Level, Operating

53 dBA

Noise Level (Copy), Operating

55 dBA

Noise Level (Scan), Operating

55 dBA

Quiet Mode

50 dBA

ENERGY STAR

Yes

Average Power (Hibernate Mode)

0.4 watts

Average Power (Sleep Mode)

3.2 watts

Average Power (Ready Mode)

10 watts

Average Power (Printing)

560 watts

Average Power while Printing Duplex

380 watts

Average Power (Copying)

580 watts

Average Power (Scanning)

25 watts

ENERGY STAR Typical Electricity Consumption (TEC)

2.0 kilowatt-hours per week

Product Guarantee

1-year Onsite Service + 3-years Parts Only guarantee (Maintenance Kit included)

Product Certifications

ENERGY STAR, Blue Angel RAL-UZ-171, ICES-003 Class B, BSMI Class B, VCCI Class B, US FDA, UL 60950-1, FCC Class B, cUL CAN/CSA-C22.2 60950-1, NOM, CB EN/IEC 60950-1, CB EN/IEC 60825-1, CE DoC (EN 62301 Class B, EN 62311, CE EN/IEC 60950-1, CE EN/IEC 60825-1, EN 61000-3, EN 55022 Class B, EuP, EN 55024, UL), EFTA (CE), KCC, CCC, CECP, CEL, C-tick DoC, UL-AR, KC mark, UL GS mark, EC 1275, MET-I, ISO 532B, ECMA-370, TED, GOST-R, SII, TER

Maximum Monthly Duty Cycle

Up to 100000 pages per month³

Recommended Monthly Page Volume

750 - 10000 pages²

Specified Operating Environment

Temperature: 16 to 32°C (60 to 90°F), Humidity: 8 to 80% Relative Humidity, Altitude: 0 - 2896 Meters (9,500 Feet)

License/Agreement Terms

Printers are sold subject to certain license/agreement conditions. See www.lexmark.com/printerlicense for details.

Country of Origin

China (PR)

UNSPSC Code

43212110

¹This product includes software developed by the OpenSSL Project for use in the OpenSSL Toolkit. (<http://www.openssl.org/>)

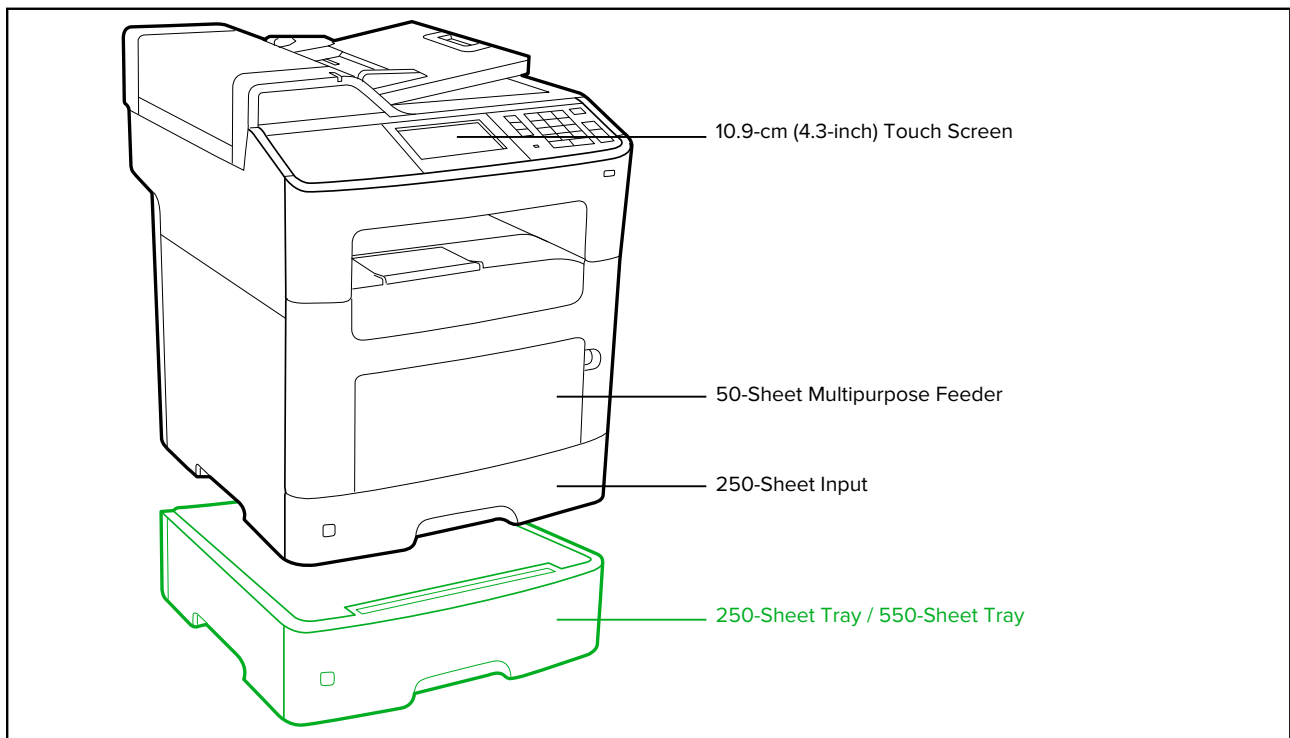
²"Recommended Monthly Page Volume" is a range of pages that helps customers evaluate Lexmark's product offerings based on the average number of pages customers plan to print on the device each month. Lexmark recommends that the number of pages per month be within the stated range for optimum device performance, based on factors including: supplies replacement intervals, paper loading intervals, speed, and typical customer usage.

³"Maximum Monthly Duty Cycle" is defined as the maximum number of pages a device could deliver in a month using a multishift operation. This metric provides a comparison of robustness in relation to other Lexmark printers and MFPs.

⁴Actual Yield may vary based on other factors such as device speed, paper size and feed orientation, toner coverage, tray source, percentage of black-only printing and average print job complexity.

⁵Average yield based on approximately 5% print coverage.

⁶Print and copy speeds measured in accordance with ISO/IEC 24734 and ISO/IEC 24735 respectively (ESAT). For more information see: www.lexmark.com/ISOspeeds.



Standard

Optional

P/N Toner Cartridges

24B6040 Imaging Unit
24B6213 Toner Cartridge

P/N Paper Handling

35S0267 250-Sheet Tray
35S0567 550-Sheet Tray
35S0367 550-Sheet Lockable Tray

P/N Memory Options

57X9016 1024MBx32 DDR3-DRAM
57X9012 2048MBx32 DDR3-DRAM
57X9101 256MB Flash Memory Card
57X9110 Traditional Chinese Font Card
57X9112 Simplified Chinese Font Card
57X9114 Korean Font Card
57X9115 Japanese Font Card

P/N Application Solutions

35S5889 MX410, MX51x Card for IPDS
35S5888 MX410, MX51x Forms and Bar Code Card
35S5890 MX410, MX51x Card for PRESCRIBE Emulation

P/N Connectivity

1021294 USB (2 Meter) Cable
27X0129 MarkNet N8352 802.11b/g/n Wireless, MX310, MX410
27X0135 MarkNet N8352 Wireless Print Server plus NFC
SPD0002 Surge Protective Device, 220-240V

P/N Extended Warranties

2359532 XM1140 1-Year Renewal Parts Only Guarantee with Maintenance kit
2359728 XM1140 Upgrade to Parts and Labour, Total 4 years (1+3)
2359730 XM1140 1-Year Renewal Parts and Labour with Maintenance kit

P/N Extended Warranties

2358144 XM1140 Upgrade to Onsite Service, Total 4 years (1+3)
2359581 XM1140 1-Year Renewal Onsite Service with Maintenance kit

P/N User Replaceable Parts

40X9054 ADF Input Paper Tray
41X0918 Pick Tire
41X0958 Pick Tire
40X8443 Tray Pick roller assembly
40X9110 ADF Pick Roll pad

P/N Installation Service

2355248 Standard Installation Service

P/N Service Parts

40X9108 ADF Separator Roller
40X8295 MPF pick roller and separator pad
40X8393 Transfer roll
40X8444 Separator roll assembly
40X8736 ADF pick roll
40X9077 Redrive assembly
40X8024 Fuser, 220-240V