

Lexmark X634dte MFP



- Intuitive, customizable color touch screen
- Mono print, copy, fax, scan
- Optional finishing
- Color network scanning
- Single-pass duplex scanning
- Optional workflow enhancement software

LEXMARKTM

Lexmark X634dte MFP



- Intuitive, customizable color touch screen interface
- Ideal platform for optimizing your business with optional Lexmark Document Solutions Suite
- Secure user authentication using your corporate directory
- High-capacity input and automatic two-sided printing for departmental needs

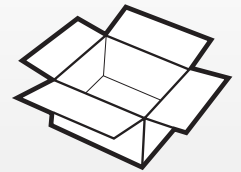
Product Specifications

Part Number	US: 16C0551; Canada: 16C0553
Product Class	Large workgroup laser MFP
Print Speed	Up to 45 ppm
Print Resolution	1200 x 1200 dpi, 1200 image quality, 600 x 600 dpi, 300 x 300 dpi
Processor	500 MHz
Memory (std./max.)	80MB/336MB
Connectivity	Standard: Ethernet, USB, 2 internal solutions ports (ISP) Optional: Token-Ring ¹ , Serial, Parallel, Coax/Twinax, Wireless Network Mgmt. Utility: MarkVision Professional
Operating Systems	Windows, Linux, UNIX, Mac, NetWare and OS/400 For a complete list, visit www.lexmark.com.
Printer Languages	PostScript 3 and PCL 6 emulations, PPDS Migration Tool and direct PDF v1.2/v1.3 printing
Fonts	PCL: 89 scalable, 2 bitmapped. Includes OCR-A and OCR-B, Code 3 of 9 bar codes; PostScript: 158 scalable; PPDS: 39 scalable, 5 bitmapped
Copy	Speed: 45 cpm ² ; Collation; Paper saver (2-up and 4-up); Reduce/enlarge (25% to 400%); Darkness adjustment; Original size to output size selection (letter-A4, A4-letter, legal-letter, legal-A4); Copy select 1-999; Date/time stamp; Message overlay
Fax	Speed: 33.6 Kbps; Group fax, delayed send, broadcast; Darkness adjustment; Fax confirmation sheet with reduced first page; Receive to memory; Send fax from PC; Up to 99,999 shortcut keys; Compatible with the following fax server systems: Biscom, Equisys, Omtool, RightFax
Scan	Color/mono flatbed scanner with 50-sheet automatic document feeder; 300 x 300 dpi optical resolution; Scan to PC, FTP and e-mail; TIFF, JPEG, PDF and PostScript file formats; Up to 99,999 shortcut keys
Scan Size	ADF minimum 4.5 in. x 5.5 in. (114 mm x 140 mm); ADF maximum 8.5 in. x 14 in. (216 mm x 355 mm); Flatbed maximum 8.5 in. x 11 in. (210 mm x 297 mm)
Size (WxDxH)	22.5 in. x 21.5 in. x 39 in. (572 mm x 564 mm x 991 mm)
Weight	85 lb. (39 kg)
Printer Duty Cycle	Up to 225,000 pages per month
Warranty	1-year LexOnSite SM Exchange

Media Specifications

Paper Capacity (sheets)	
Standard Input	1,100 (two 500-sheet trays, 100-sheet MPT)
Maximum Input	4,100 ³ (2,000-sheet drawer, four 500-sheet trays, 100-sheet MPT)
Standard Output	500 (500-sheet top)
Maximum Output	3,000 ³ (1,850-sheet stacker, 650-sheet expander, 500-sheet top)
Two-Sided Printing	Standard
Paper Sources	
Standard Input	3
Maximum Input	7
Standard Output	1
Maximum Output	11
Media Types	Plain paper, card stock, transparencies, paper labels, dual-web labels, polyester labels
Media Sizes	Letter, legal, A4, B5, executive, statement, universal (2.75 x 5 in. to 8.5 x 14 in.)
Media Weights	Plain paper: 16 to 47 lb. (60 to 176 g/m ²); Card stock: up to 110 lb. Index (199 g/m ²)

In the Box



Lexmark X634dte MFP

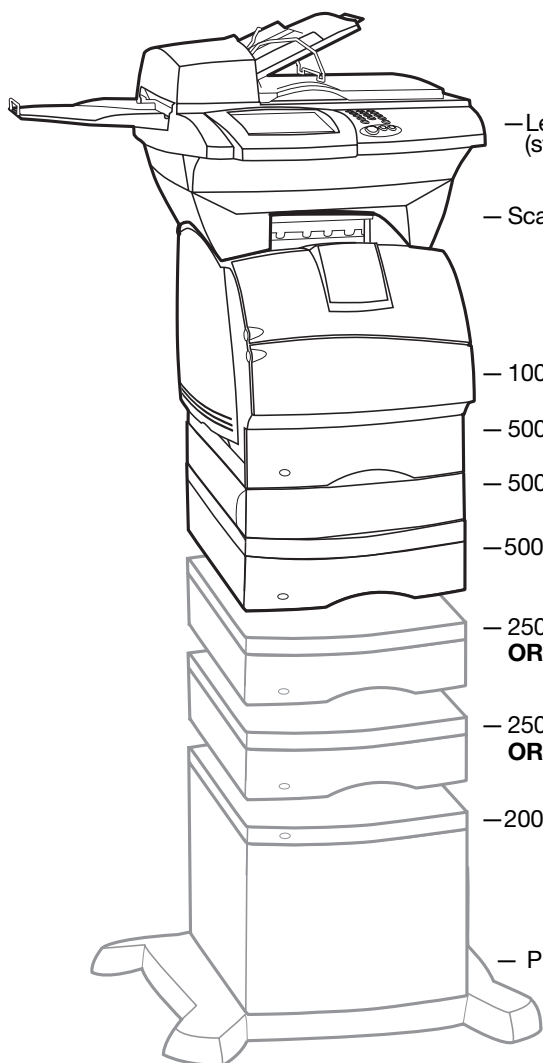
- Lexmark T634dtn Printer
- 21,000-page Return Program Print Cartridge
- X4500 Scan Unit
- Scanner Shelf
- Publications Kit
- Y-Line Cord
- Operator Panel Cover
- Telephone Cable
- Power Cord
- Printer Setup Guide
- Quick Reference Guide
- Publications CD
- Drivers, MarkVision and Utilities CD
- Lexmark MFP CD

Lexmark X634dte MFP

Supplies & Accessories

Supplies⁴	32,000-page Extra High Yield Return Program Print Cartridge	12A7465
	32,000-page Extra High Yield Return Program Print Cartridge for Label Applications	12A7469
	32,000-page Extra High Yield Print Cartridge	12A7365
	21,000-page High Yield Return Program Print Cartridge	12A7462
	21,000-page High Yield Return Program Print Cartridge for Label Applications	12A7468
	21,000-page High Yield Print Cartridge	12A7362
	5,000-page Return Program Print Cartridge	12A7460
	5,000-page Print Cartridge	12A7360
	Staple Cartridges	11K3188
Memory/Flash Options	8MB SDRAM	16H0055
	16MB SDRAM	16H0056
	32MB SDRAM	16H0057
	64MB SDRAM	16H0058
	128MB SDRAM	16H0059
	16MB Flash Card ⁵	11K4616
	32MB Flash Card ⁵	11K4632
	20+GB Hard Disk with Adapter	11K4603
Furniture	Low Profile Printer Stand	16C0379
	Printer Stand with Cabinet	16C0369
	Printer Stand	16C0389
	Scanner Stand with Cabinet	16C0399
	MFP Adjustable Stand	12B0602

Paper Handling Options⁴



— Lexmark X4500 MFP option (standard)

— Scanner Shelf (standard)

— 100-sheet Multipurpose Tray (standard)

— 500-sheet Drawer (standard)

— 500-sheet Duplex Unit (standard)

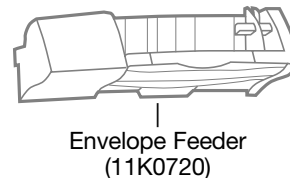
— 500-sheet Drawer (standard)

— 250-sheet Drawer (11K0681)
OR 500-sheet Drawer (11K0688)

— 250-sheet Drawer (11K0681)
OR 500-sheet Drawer (11K0688)

— 2000-sheet Drawer (11K0718)

— Printer Base (10G0080)



Envelope Feeder
(11K0720)

Options not pictured:

250-sheet Tray (11K1059)
500-sheet Tray (11K1060)
StapleSmart Finisher (11K2800)
High Capacity Output Stacker (11K1440)
Output Expander (11K0723)
250-sheet Universally Adjustable Drawer (11K1878)
250-sheet Universally Adjustable Tray (11K1574)
400-sheet Universally Adjustable Drawer (11K1942)
400-sheet Universally Adjustable Tray (11K1941)

Additional Information

¹ Requires Ringdale Token-Ring to Ethernet bridge for full functionality in Token-Ring environment

² "Scan once, print many" operation

³ Yield is based on approximately 5% print coverage

⁴ Displays all available options for **base** model

Lexmark X634dte MFP

Additional Accessories

Paper Handling Options	250-sheet Drawer	11K0681
	500-sheet Drawer	11K0688
	2000-sheet Drawer	11K0718
	250-sheet Tray	11K1059
	500-sheet Tray	11K1060
	250-sheet Duplex Unit	10G0800
	Envelope Feeder	11K0720
Font Options	Korean Font Card	10G0743
	Simplified Chinese Font Card	10G0744
	Traditional Chinese Font Card	10G0745
	Japanese Font Card	10G0746
Optra Forms Solutions	Optra Forms Software	11N0040
	Optra Forms Director	11N0052
	Optra Forms Manager	11N0056
	Optra Forms 16MB Flash Card	10G0747
	Optra Forms 32MB Flash Card	10G0748
	Optra Forms 2-Key Security	43H5841
	Optra Forms 3-Key Security	43H5842
Optra Forms 20+GB Hard Disk with Adapter	10G0749	
Other Options	ImageQuick Card	10G0144
	Bar Code Card	10G0145
	Card for IPDS and SCS/TNe	10G0147
	PrintCryption Card ¹	10G0149
	Card for PRESCRIBE	10G1747
Adapters	Parallel 1284-B Interface Card	11K4601
	RS-232C Serial Interface Card	11K4602
	External Serial Adapter	1368705
	Coax/Twinax Adapter for SCS	11K4120
	802.11g Wireless Print Adapter	1010042
Cables	10-Foot Parallel Printer Cable	1329605
	2-Meter USB Printer Cable	12A2405
	50-Foot Serial Printer Cable	1038693

¹ Requires network connectivity

Lexmark, Lexmark with diamond design and LexOnSite are trademarks of Lexmark International, Inc., registered in the United States and/or other countries. Optra Forms is a trademark of Lexmark International, Inc. Mac OS and the Mac logo are trademarks of Apple Computer, Inc., registered in the U.S. and other countries. PCL is a registered trademark of Hewlett-Packard Company. The USB-IF logos are trademarks of Universal Serial Bus Implementers Forum, Inc. All other trademarks are the property of their respective owners. © 2004. Lexmark International, Inc. All rights reserved.

71K6381



Printed on recycled paper.

