

DX-SERIES DESKTOP MONOCHROME PRINTER

Ideal Printer for the Desktop

The Sharp DX-B351PL Essentials Series Monochrome Printer delivers an output speed of up to 35 pages per minute (ppm) with proven durability and a low cost of operation. The DX-B351PL also provides a compact footprint combined with secure network printing, making it a great choice for confidential printing in executive offices, human resource departments and restricted areas of the workplace. Developed with the business user in mind, the DX-B351PL offers a low cost-per-page which helps keep office expenses under control.

Key Features

- **Versatile** – A compact design combined with a strong set of standard features makes the DX-B351PL the ideal printer for offices with limited space.
- **Productive** – Delivers crisp output every time for all your document formats via standard PCL®6 and PostScript®3™ printing protocols.
- **Quick Setup** – Utilizes a one-step installation process and an easy-to-use keypad. Users can quickly control the print language, power settings, network configurations and security options.



Compact design easily fits into small office spaces



Easy-to-use 2-line LCD operation panel



First print out time 8.2 seconds

Print capabilities to help your business gain a competitive advantage

- Productive printing speeds up to 35 ppm
- Automatic two-sided function for duplex printing
- Easy-to-use two-line LCD operational panel
- Simple and convenient one step installation process
- Compact design easily fits into small office spaces in desktop or workgroup environments
- 1,200 x 1,200 dpi printing delivers clear, crisp images and text page after page
- Professional quality output at an affordable price
- Silent mode creates less noise and helps maintain a comfortable environment
- Front facing bypass tray for easy printing of envelopes, labels and specialty media
- Standard PCL 6 and PostScript printing

DX-B351PL SPECIFICATIONS

Main Specifications

Type	Desktop monochrome printer
Display	2-line LCD Panel
Print System	Dry electrostatic transfer/Mono component/OPC drum/roller fusing/white LSU exposure
Output Size	Min. 5½" x 8½", Max. 8½" x 14"
Print Speed	35 ppm
First Print Time (in seconds)*	8.2 seconds
Warm Up Time	20 seconds
Paper Capacity	Maximum 251 Sheets
Paper Feed System	Standard: (1) 250-sheet paper drawer (letter/statement /legal/executive size) system and bypass tray (letter/statement/legal/executive/envelope size).
Paper Weights and Types	Paper drawers: 16-28 lb. bond. Other paper types include plain, pre-printed, recycled, pre-punched, letterhead and color paper. Bypass tray: 16-19 lb. bond (thin paper), 16-28 lb. bond (plain paper), 28 lb. bond -74 lb. cover (heavy paper), Monarch/Com-10 envelope. Also, label paper, gloss paper, pre-printed paper, recycled, pre-punched, letterhead, color paper and OHP film.
Duplexing	Standard automatic duplex printing
CPU	350 MHz
Interface	RJ-45 Ethernet (10Base-T, 100Base-TX), USB 2.0 (1 device port, rear)
Printer Memory	256 MB
Firmware Management	Firmware can be updated by USB or wired network connection.
Device Setup	Web-based management/admin level login
Service/Functions	Remote access to toner level
Accessibility Features	Beep sound features on key entry, adjustment of key touch sound, screen timeout disable

Design and specifications subject to change without notice.

Main Specifications (continued)

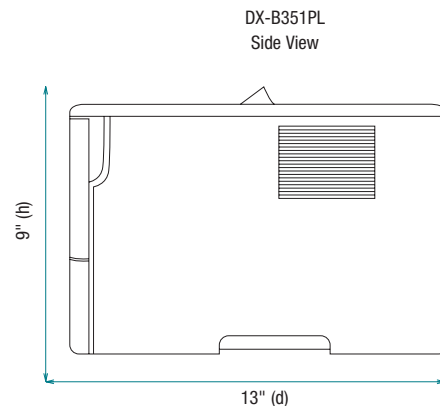
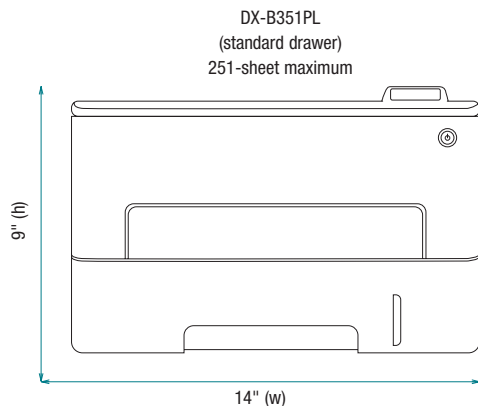
Environmental Standards	ENERGY STAR® Program Ver. 3.0
Power	AC 110 VAC, 60HZ, 9 A
Power	0.5 kW or less
Consumption	
Weight	Approx. 15 lbs.
Dimensions	Approx. 13.9" (w) x 13.1" (d) x 9.1" (h)
PDL	PCL5e, PCL6, PostScript compatible, PDF
Resolution	Max. 1,200 x 1,200 dpi
Print Drivers	Windows Server® 2003, Windows Server 2008, Windows Server 2012 x64, Windows XP, Windows Vista, Windows 7, Windows 8, Windows 8.1, Windows 10, MAC OS® (including 10.7 to 10.13)
Features	Duplex printing, driver delivery functions, toner save mode, power save mode, electronic sorting, N-up printing, image rotation, watermark
Resident Fonts	80 outline fonts (PCL), 136 fonts (PS)
Network Interface	RJ-45 Ethernet, 10 Base-T/100 Base-TX, USB 2.0
Operating Systems	Windows Server 2003, 2008 & 2012, Windows XP, Vista, 7, 8, 8.1, 10, Mac OS 10.7-10.13
Network Protocols	IPv4/IPv6, DHCP, DNS, RAW (Port9100), LPD / LPR, SNMP (v1), SMTP, HTTP/HTTPS (v1.1)
Printing Protocols	Raw TCP and LPD (port 9100), AirPrint, Wireless IPP (default)
Network Security	SSL/ TLS

Optional Equipment

DX-B35TB	Toner Cartridge
DX-B35DU	Drum

* May vary depending on product configuration, machine settings and operating and/or environmental conditions.

Product Configuration



SHARP®

SHARP ELECTRONICS CORPORATION
100 Paragon Drive, Montvale, NJ 07645
1-800-BE-SHARP • www.sharpsusa.com

Sharp and My Sharp and all related trademarks are trademarks or registered trademarks of Sharp Corporation and/or its affiliated companies. Windows and Windows Server are registered trademarks of Microsoft Corporation. PCL is a registered trademark of Hewlett Packard Company. PostScript is a registered trademark of Adobe Systems Inc. MacOS and Airprint are registered trademarks of Apple Inc. All other trademarks are the property of their respective owners.