



Lexmark C748 Family

Vibrant color printing for midsize workgroups

The Lexmark C748 Family color laser printers deliver high-quality color printing and reliable performance. Easy-to-use features and solutions increase efficiency. Eco-friendly features make responsible printing easy.

Features to optimize your work

Easy brand matching: Consistently match branded colors and print marketing collateral in-house with Lexmark Named Color Replacement.

Intuitive color touch screen: Operate your printer with ease and confidence using the 4.3-inch (10.9-cm) color touch screen that makes navigation smart and intuitive.



Convenient updates: Preview documents and change output settings such as two-sided printing directly at the device.

Flexible input capacity: With the optional 550-sheet drawers, specialty media drawer and 2,000-sheet high-capacity feeder, customize input options to meet your printing needs.

Optional hard disk: The optional hard disk increases productivity, reduces job waiting and includes on-printer form and file storage.

Use less energy: The instant warm-up fuser reduces energy consumption and delivers a time to first page as fast as 9 seconds in both black and color.

Walk-up USB printing: The front USB port allows for convenient walk-up printing of PDFs and many printable image file formats.

Multiple media support: Ultra-reliable paper feeding supports diverse media, including card stock, vinyl labels, banners and more.



Robust high-quality color

Rely on Lexmark C748 color laser printers for the high-quality color printing essential to business. Speed and reliability mean minimal waiting and few interruptions. You consistently and quickly receive vibrant documents.

- ▶ Match corporate colors on marketing collateral and brand-sensitive text and graphics with Lexmark Named Color Replacement and PANTONE® calibration.
- ▶ The high-speed processor and Gigabit Ethernet networking mean fast data transfer and fast processing, even on complex color documents.
- ▶ Print quickly at speeds up to 35 ppm and a time to first page as fast as 9 seconds in both black and color.
- ▶ Lexmark high-yield cartridges let you print up to 12,000 pages per cartridge in black and 10,000 pages per cartridge in color.¹

Productivity made easy

The combination of easy-to-use features and reliable performance means business processes are intuitive and you are productive. Increase efficiency with workflow-enhancing solutions and shortcuts designed to reduce unnecessary printing and simplify processes.

- ▶ The easy-to-use 4.3-inch (10.9-cm) color touch screen provides audible feedback and tablet-like navigation to make device operation intuitive and simple.
- ▶ Expand input capacity with optional paper drawers that let you load multiple paper types and boost total input capacity up to 4,300 sheets.
- ▶ Create customized messages to provide helpful information such as helpdesk telephone numbers.
- ▶ Easily manage supplies through programmable alerts that automatically send reorder notifications.

Sustainable by design

Environmentally friendly printing and energy-saving features make it easy to print responsibly. Use fewer raw materials with features that reduce the number of pages printed and free cartridge return and recycling programs.

- ▶ Use less electricity with Hibernate Mode, which reduces energy consumption to less than one watt and meets multiple energy management standards.
- ▶ Choose from multiple print settings that help reduce energy, paper and toner consumption using custom Eco-Settings.
- ▶ Cartridges are eligible for the Lexmark Cartridge Collection Program (LCCP), which offers a variety of free, easy return options designed for your business size and printing volume. For more information visit www.lexmark.com/recycle.²
- ▶ Reduce paper consumption by up to 50% and reduce your impact on the environment with two-sided printing.³



Ordering information

Compatible on the complete Lexmark C748 Family

Laser toner/print cartridge

C746, C748 Black High Yield Return Program Toner Cartridge
C748 Cyan High Yield Return Program Toner Cartridge
C748 Magenta High Yield Return Program Toner Cartridge
C748 Yellow High Yield Return Program Toner Cartridge
C746, C748 Cyan Return Program Toner Cartridge
C746, C748 Magenta Return Program Toner Cartridge
C746, C748 Yellow Return Program Toner Cartridge
C746, C748 Black High Yield Toner Cartridge
C748 Cyan High Yield Toner Cartridge
C748 Magenta High Yield Toner Cartridge
C748 Yellow High Yield Toner Cartridge
C746, C748 Cyan Toner Cartridge
C746, C748 Magenta Toner Cartridge
C746, C748 Yellow Toner Cartridge
Waste Toner Box (25K)
Photoconductor Unit (20K)
Photoconductor Unit, 4-pack (20K each)

Furniture

C74x, X74x Caster base
Swivel cabinet

Memory options

256MB DDR2-DRAM
512MB DDR2-DRAM
1024MB DDR2-DRAM
256MB Flash Card
160+ GB Hard Disk

Application solutions

Lexmark PrintCryption Card
C748 Card for IPDS
C748 Card for PRESCRIBE Emulation
C748 Forms and Bar Code Card

Connectivity

MarkNet N8250 802.11b/g/n Wireless Print Server
MarkNet N8120 Gigabit Ethernet Print Server
USB (2 Meter) Cable
Parallel 1284-B Interface Card
Parallel (10') Cable
RS-232C Serial Interface Card

User replaceable parts

Pick Tire
Pick Tire, Special Media Drawer
C74x, X74x Fuser Maintenance 220-240V
C74x, X74x Transfer Belt Maintenance Kit



Ordering information

Model

Lexmark C748e

Paper handling

C734, C736, X734e, X736e, X738e 550-sheet drawer

2000-sheet high capacity feeder

C734, C736, X734e, X736e, X738e 550-sheet specialty media drawer

4.8 inch (12.2 cm) spacer

Extended warranties

C748 2-Years Total (1+1) Onsite Service

C748 3-Years Total (1+2) Onsite Service

C748 4-Years Total (1+3) Onsite Service

C748 5-Years Total (1+4) Onsite Service

C748 1-Year Onsite Service Renewal

Installation service

C748 Installation service

Model

Lexmark C748de

Paper handling

C734, C736, X734e, X736e, X738e 550-sheet drawer

2000-sheet high capacity feeder

C734, C736, X734e, X736e, X738e 550-sheet specialty media drawer

4.8 inch (12.2 cm) spacer

Extended warranties

C748 2-Years Total (1+1) Onsite Service

C748 3-Years Total (1+2) Onsite Service

C748 4-Years Total (1+3) Onsite Service

C748 5-Years Total (1+4) Onsite Service

C748 1-Year Onsite Service Renewal

Installation service

C748 Installation service

In the box

Lexmark C748e color laser printer, Up to 10,000*-page color (CMY) toner cartridges, Up to 12,000*-page black toner cartridge, Photoconductor unit, Software and Documentation CD, Power cord(s), Setup guides (network and local attachment), Statement of limited warranty / guarantee, Lexmark Cartridge Collection Program information

* Average continuous black or continuous composite CMY declared cartridge yield in one-sided (simplex) mode up to this number of standard pages in accordance with ISO/IEC 19798.

In the box

Lexmark C748de color laser printer, Up to 10,000*-page color (CMY) toner cartridges, Up to 12,000*-page black toner cartridge, Photoconductor unit, Software and Documentation CD, Power cord(s), Setup guides (network and local attachment), Statement of limited warranty / guarantee, Lexmark Cartridge Collection Program information

* Average continuous black or continuous composite CMY declared cartridge yield in one-sided (simplex) mode up to this number of standard pages in accordance with ISO/IEC 19798.



Ordering information

Model

Lexmark C748dte

Paper handling

C734, C736, X734e, X736e, X738e 550-sheet drawer

2000-sheet high capacity feeder

C734, C736, X734e, X736e, X738e 550-sheet specialty media drawer

4.8 inch (12.2 cm) spacer

Extended warranties

C748 2-Years Total (1+1) Onsite Service

C748 3-Years Total (1+2) Onsite Service

C748 4-Years Total (1+3) Onsite Service

C748 5-Years Total (1+4) Onsite Service

C748 1-Year Onsite Service Renewal

Installation service

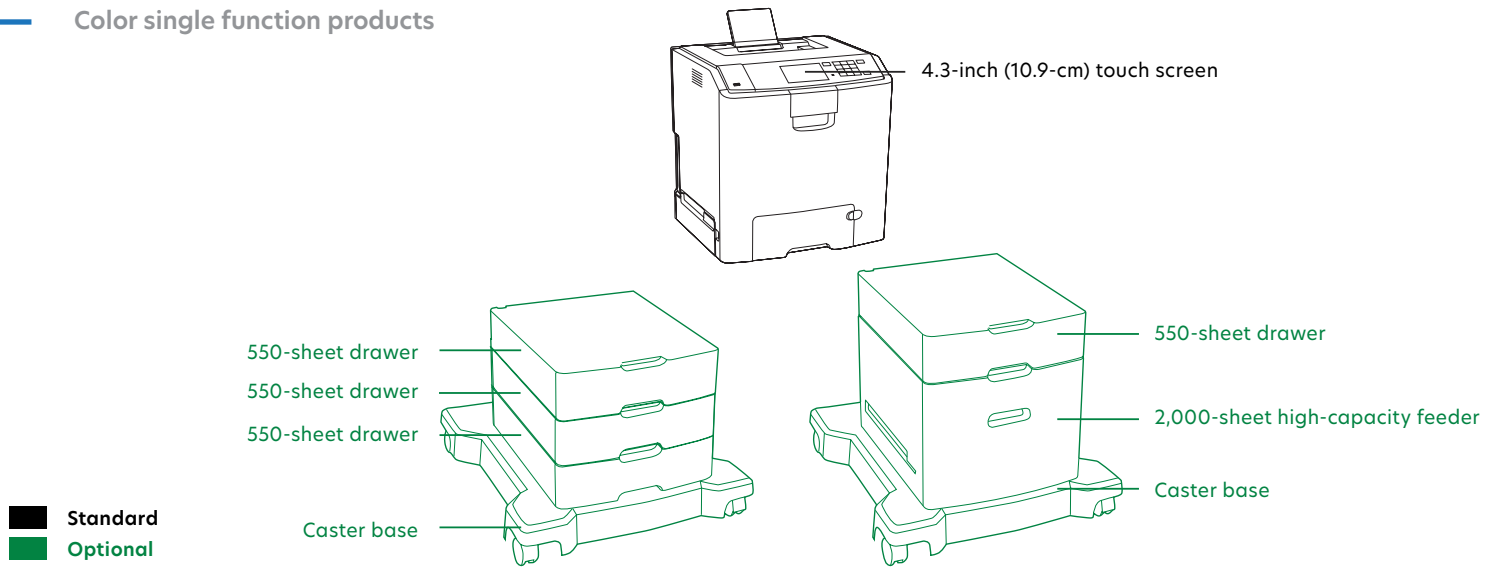
C748 Installation service

In the box

Lexmark C748dte color laser printer, Includes 550-Sheet Drawer, Up to 10,000*-page color (CMY) toner cartridges, Up to 12,000*-page black toner cartridge, Photoconductor unit, Software and Documentation CD, Power cord(s), Setup guides (network and local attachment), Statement of limited warranty / guarantee, Lexmark Cartridge Collection Program information

* Average continuous black or continuous composite CMY declared cartridge yield in one-sided (simplex) mode up to this number of standard pages in accordance with ISO/IEC 19798.

Color single function products



Product specifications	Lexmark C748e	Lexmark C748de	Lexmark C748dte
Printing			
Display	Lexmark e-Task 4.3-inch (10.9 cm) color touch screen		
Print Speed: Up to	Black: 35 ppm / Color: 35 ppm		
Time to First Page: As fast as	Black: 9 seconds / Color: 9 seconds		
Print Resolution	Black: 1200 x 1200 dpi, 4800 Color Quality (2400 x 600 dpi) / Color: 1200 x 1200 dpi, 4800 Color Quality (2400 x 600 dpi)		
Memory / Processor	Standard: 512 MB / Maximum: 1536 MB / 800 MHz		
Hard Disk	Option available		
Recommended Monthly Page Volume ³	2,500 - 10,000 pages		
Maximum Monthly Duty Cycle: Up to ¹	100,000 pages per month		
Supplies			
Photoconductor Estimated Yield: Up to ²	20,000 pages, based on 3 average letter/A4-size pages per print job and ~ 5% coverage		
Cartridge(s) Shipping with Product	10,000-page color (CMY) High Yield Return Program Toner Cartridges, 12,000-page Black High Yield Return Program Toner Cartridge		
Paper Handling			
Paper Input Capacity: Up to	Standard: 650 pages 20 lb or 75 gsm bond / Maximum: 4300 pages 20 lb or 75 gsm bond	Standard: 1200 pages 20 lb or 75 gsm bond / Maximum: 4300 pages 20 lb or 75 gsm bond	
Paper Output Capacity: Up to	Standard: 300 pages 20 lb or 75 gsm bond / Maximum: 300 pages 20 lb or 75 gsm bond		
Media Types Supported	Card Stock, Envelopes, Paper Labels, Plain Paper, Transparencies, Vinyl Labels, Refer to the Card Stock & Label Guide.		
Media Sizes Supported	10 Envelope, 7 3/4 Envelope, 9 Envelope, A4, A5, B5 Envelope, C5 Envelope, DL Envelope, B5, Executive, Folio, JIS-B5, Legal, Letter, Statement, Universal, Oficio, A6		
General Information			
Standard Ports	USB 2.0 Specification Hi-Speed Certified (Type B), Front USB 2.0 Specification Hi-Speed Certified Port (Type A), Rear USB 2.0 Specification Hi-Speed Certified Port (Type A), Ethernet 10/100/1000 BaseTX (RJ-45)		
Optional Network Ports / Optional Local Ports	Internal MarkNet™ N8250 802.11b/g/n Wireless / Internal RS-232C serial, Internal 1284-B Bidirectional Parallel		
Noise Level: Operating	Print: 55 dBA		
Specified Operating Environment	Temperature: 16 to 32°C (60 to 90°F), Humidity: 8 to 80% Relative Humidity, Altitude: 0 - 3048 Meters (10,000 Feet)		
Limited Warranty - See Statement of Limited Warranty	1-Year Onsite Service, Next Business Day		
Size (in. - H x W x D) / Weight (lb.)	17.9 x 17.1 x 15.7 in. / 56.4 lb.		22.9 x 17.1 x 21.5 in. / 66.4 lb.

¹"Maximum Monthly Duty Cycle" is defined as the maximum number of pages a device could deliver in a month using a multishift operation. This metric provides a comparison of robustness in relation to other Lexmark printers and MFPs. ²Actual Yield may vary based on other factors such as device speed, paper size and feed orientation, toner coverage, tray source, percentage of black-only printing and average print job complexity. ³"Recommended Monthly Page Volume" is a range of pages that helps customers evaluate Lexmark's product offerings based on the average number of pages customers plan to print on the device each month. Lexmark recommends that the number of pages per month be within the stated range for optimum device performance, based on factors including: supplies replacement intervals, paper loading intervals, speed, and typical customer usage. ⁴7,000*-page color (CMY) Toner Cartridges ⁵10,000*-page color High Yield Toner Cartridges (CMY) ⁶12,000*-page Black High Yield Toner Cartridge ⁷*Average continuous black or continuous composite CMY declared cartridge yield up to this number of standard pages in accordance with ISO/IEC 19798.

© 2015 Lexmark and the Lexmark logo are trademarks of Lexmark International, Inc., registered in the United States and/or other countries. All other trademarks are the property of their respective owners. ENERGY STAR® is a U.S. registered mark.

AirPrint and the AirPrint logo are trademarks of Apple Inc.